



# Oxmoor

## No. 7376 Merlot Cherry Finish

### SPECIFICATIONS

**Construction:** Constructed of wood and wood veneers, featuring solid wood bases, shape mouldings and pilasters. Tops are constructed of wood and veneer on wood product. Top surfaces are straight grain cherry veneer with madrone burl veneer and walnut borders with a UV topcoat.

Cases feature mortise and tenon construction with wood cleats, glue, screws, staples, and threaded inserts with bolts.




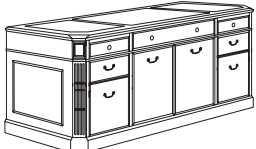
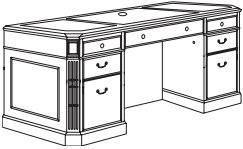
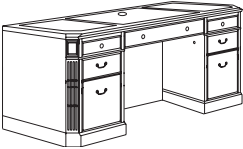
**Drawers:** Drawers have solid wood sides and backs with veneer and veneer banded fronts and a 3-ply veneer bottom. Drawer interiors are sealed.

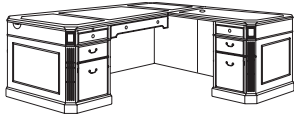
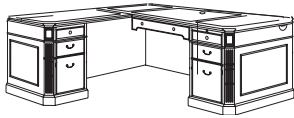
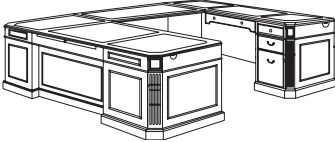
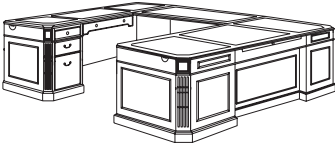




All drawers feature dovetail construction and are suspended on fully extending, metal, ball-bearing slides.



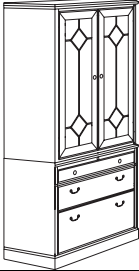
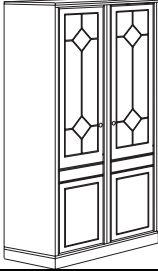
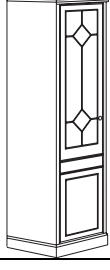
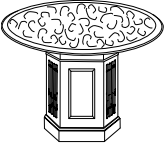
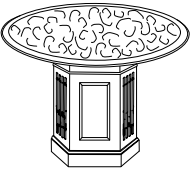
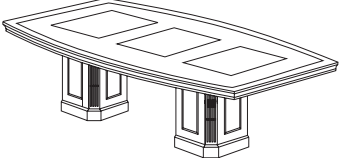
**File Drawers:** File drawers are fully extending and are equipped with a metal file system for letter or legal hanging file folders.


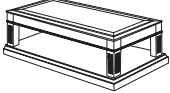
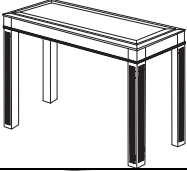


**Adjustable Levelers:** All desks, credenzas, and file cabinets have adjustable levelers.

Specifications subject to change without notice.

	ITEM NO. & DESCRIPTION	SIZE W" x D" x H"	WT.	CUBES (ft.)	FLA Gov. Delivered List Price
					Zone 1
	<b>Executive Desk w/leather inlays in top</b> <b>7376-365</b> Keyboard drawer with keyboard tray; pull-out writing board/ box with wood pencil tray / box drawer / file drawer per pedestal; file drawer accommodates letter or legal hanging files; kneehole locking pedestals; cable grommet in pedestal ends; pull-out writing board on center approach panel	72 x 36 x 30	374	58.1	<b>3864.00</b>
	<b>Executive Desk</b> <b>7376-36</b> Center/keyboard drawer with drop-front; pull-out writing board/ box with wood pencil tray / box drawer / file drawer per pedestal; file drawer accommodates letter or legal hanging files; kneehole locking pedestals; cable grommet in pedestal ends; pull-out dictation slide on center approach panel	72 x 36 x 30	370	58.1	<b>3297.00</b>
	<b>Table Desk</b> <b>7376-88</b> Consists of: -082 Top -081 Four Leg Base  Three, drawers with pencil trays; two pull-out writing boards on working side; one pull-out writing board on approach	72 x 36 x 30	218	20.9	<b>1850.00</b>
	<b>Executive Storage Credenza</b> <b>7376-20</b> Center, drawer with a pencil tray; 2-door cabinet with an adjustable shelf; pull-out writing board / with a pencil tray / box / file drawer per pedestal; locking pedestals via locks inside cabinet; file drawers accommodate letter or legal hanging files	72 x 24 x 30	340	46.2	<b>2537.00</b>
	<b>Kneehole Credenza</b> <b>7376-21</b> Drop-front keyboard drawer; pull-out writing board, box with pencil tray / box drawer / file drawer per pedestal; fully extending file drawers accommodates letter or legal files; kneehole locking pedestals; cable grommet in back panel	72 x 24 x 30	306	39.8	<b>2382.00</b>
	<b>Kneehole Credenza w/out Return Mouldings</b> <b>7376-215</b> Drop-front keyboard drawer; pull-out writing board, box with pencil tray / box drawer / file drawer per pedestal; fully extending file drawers accommodates letter or legal files; kneehole locking pedestals; cable grommet in back panel	69.5 x 24 x 30	300	38.4	<b>2382.00</b>

	ITEM NO. & DESCRIPTION	SIZE W" x D" x H"	WT.	CUBES (ft.)	FLA Gov. Delivered List Price
					Zone 1
	<b>Right Executive L Desk</b> <b>7376-47</b> Consists of: -570 Exec Left Sgl Pedestal Desk -579 Right Sgl Pedestal Return	72 x 84 x 30	503	85.6	<b>3706.00</b>
	<b>Left Executive L Desk</b> <b>7376-48</b> Consists of: -580 Exec Right Sgl Pedestal Desk -589 Left Sgl Pedestal Return	72 x 84 x 30	503	85.6	<b>3706.00</b>
	<i>Desks:</i> Center/ keyboard drawer with drop-front; pull-out writing board / box with pencil tray / box / file drawer; kneehole locking pedestal; end panel cable grommet <i>Returns:</i> Box / box / file drawer; kneehole locking pedestal; cable grommet in top and approach panels				2227.00 1479.00
	<b>Right Executive U Desk</b> <b>7376-57</b> Consists of: -570 Exec Left Sgl Pedestal Desk -571 Exec Right Sgl Ped Credenza -59 U Bridge	72 x 108 x 30	640	102.4	<b>4943.00</b>
	<b>Left Executive U Desk</b> <b>7376-58</b> Consists of: -580 Exec Right Sgl Pedestal Desk -581 Exec Left Sgl Ped Credenza -59 U Bridge	72 x 108 x 30	640	102.4	<b>4943.00</b>
	<i>Desks:</i> Keyboard drawer with keyboard tray; pull-out writing board / box with pencil tray / box / file drawer; kneehole locking pedestal; end panel cable grommet <i>Credenzas:</i> Center, felt-lined drawer with pencil tray; pull-out writing board / box with pencil tray / box / file drawer; kneehole locking pedestal; end panel cable grommet <i>Bridge:</i> Cable grommet in modesty panel				2227.00 1856.00 860.00
	<b>Lateral File</b> <b>7376-16</b> Two file drawers accommodate letter and/or legal sized files; central locking; equipped with an anti-tip device.	36 x 20 x 30	147	17.6	<b>1391.00</b>
	<b>Overhead Storage w/Glass Doors</b> <b>7376-62</b> Center, 2-door cabinet with canister light; left and right tower cabinets, each with two, glass adjustable shelves, canister light 31.75" width between tower cabinets; 24" vertical clearance; Cable grommet in back panel	72 x 16 x 48	213	43.4	<b>2042.00</b>
	<b>Overhead Storage w/Glass Doors, w/out Return Mouldings</b> <b>7376-625</b> Center, 2-door cabinet with canister light; left and right tower cabinets, each with two, glass adjustable shelves, canister light 31.75" width between tower cabinets; 24" vertical clearance; Cable grommet in back panel	69.5 x 16 x 48	267	42.0	<b>2042.00</b>
	<b>Overhead Storage w/Wooden Doors</b> <b>7376-63</b> Center, 2-door cabinet; left and right tower cabinets, each with two adjustable shelves; 31.75" width between tower cabinets; 25" vertical clearance to bottom of center cabinet; cable grommet in back panel	72 x 16 x 48	247	43.4	<b>1886.00</b>

	ITEM NO. & DESCRIPTION	SIZE W" x D" x H"	WT.	CUBES (ft.)	FLA Gov. Delivered List Price
					Zone 1
	<b>Two-Door Stacking Bookcase for lateral file</b> <b>7376-46</b> Glass two-door cabinet with two shelves; canister light; includes felt pads and back mounting hardware	36 x 16 x 48	130	22.5	<b>1548.00</b>
	<b>Open Bookcase</b> <b>7376-148</b> Two adjustable shelves; adjustable glides	36 x 16 x 48.75	112	20.7	<b>1053.00</b>
	<b>Lateral File Storage Cabinet</b> <b>7376-07</b> Wooden two-door cabinet with two, adjustable shelves and Euro style door hinges; two lateral file drawers with central locking; file drawers accommodate letter and/or legal hanging files.	34.5 x 20 x 75	255	39.6	<b>2042.00</b>
	<b>Double Door Storage Wardrobe/Cabinet</b> <b>7376-06</b> Wooden two-door cabinet; six adjustable/removable shelves; metal hanger rod; Euro style door hinges.	34.5 x 20 x 75	235	39.6	<b>2042.00</b>
	<b>Single Door Storage Wardrobe/Cabinet</b> <b>7376-05</b> Wooden door cabinet; three adjustable/removable shelves; metal hanger rod; Euro style door hinges.	18.75 x 20 x 75	155	22.6	<b>1479.00</b>
	<b>42" Round Conference Table</b> <b>7376-89</b> Consists of: -011 42" Round Top -003 Single Pedestal Base  Fluted corners on a 18" wide base; top features madrone burl veneer top with a cherry veneer border	42 x 42 x 30	100	15.2	<b>1548.00</b>
	<b>48" Round Conference Table</b> <b>7376-90</b> Consists of: -016 48" Round Top -003 Single Pedestal Base  Fluted corners on a 18" wide base; top features madrone burl veneer top with a cherry veneer border	48 x 48 x 30	112	14.1	<b>1795.00</b>
	<b>8' Boat Top Conference Table</b> <b>7376-96</b> Fluted, 18" wide pedestals Consists of: -004 8' Boat Shaped Top -003 Single Pedestal Base (2)	96 x 36-42 x 30	242	25.8	<b>2728.00</b>
					1491.00 1237.00

	ITEM NO. & DESCRIPTION	SIZE W" x D" x H"	WT.	CUBES (ft.)	FLA Gov. Delivered List Price
					Zone 1
	<b>End Table</b> <b>7376-11</b> Magazine shelf.	24 x 24 x 20	74	9.1	<b>613.00</b>
	<b>Coffee Table</b> <b>7376-41</b> Magazine shelf	50 x 24 x 16	75	15.1	<b>1002.00</b>
	<b>Sofa/Console Table</b> <b>7376-82</b>	60 x 16 x 30	75	6.3	<b>666.00</b>
	<b>Roll Arm Executive Desk Chair w/Nail Trim</b> <b>6840-1108</b> , Black Leather <b>6840-1308</b> , Burgundy Leather Gas lift; swivel tilt mechanism; genuine leather; five star hooded caster base	29 x 28 x 48-51	75	14.7	<b>1142.00</b>
	<b>Guest Chair</b> <b>Merlot Cherry Frame</b> <b>6855-2108</b> , Soft Gold Fabric <b>6855-2208</b> , Burgundy Fabric	25 x 26 x 34	50	15.0	<b>548.00</b>

**All Online Catalog Prices Supersede Printed Media**  
[www.dmiofficefurniture.com](http://www.dmiofficefurniture.com)