



Pimlico Laminate

No. 7020 Mocha Finish
No. 7021 Cognac Cherry Finish

SPECIFICATIONS

Construction. Chasis construction is of wood and wood product with a TFL surface and aluminum finished framed, frosted glass panels. . Tops are 1.25 inches thick with HPL surfaces. Recessed edges are of PVC and color matched to the surfaces. Substrate is wood and wood material. Tops are separated from the chasis with a satin aluminum finished reveal. Bases are made with satin an aluminum finish.






The construction features Camlocks with screws and cleats for reinforcement and stability.




Drawers feature five-sided construction with fully extending, metal roller bearing, heavy duty suspensions. Box drawers have a 50 lb load bearing rating; file drawers have a load bearing rating of 100 lbs. File drawers are equipped with heavy gauge metal rods for letter or legal sized folders with


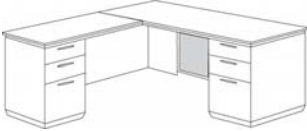


front-to-back or side-to-side filing capabilities.


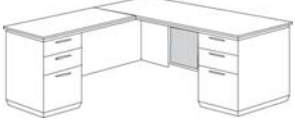
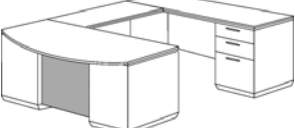

Adjustable levelers are featured on all desks, file cabinets, and credenzas.

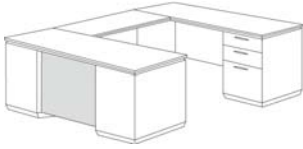
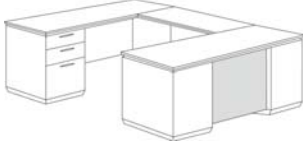
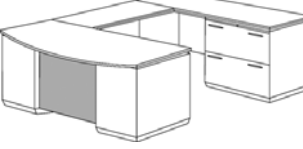
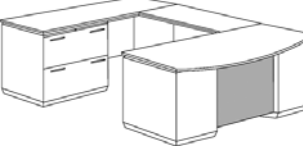
Specifications are subject to change without notice. Price sheets posted to e-service supersede printed price sheets.

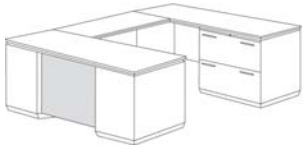
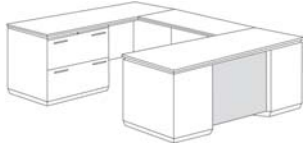
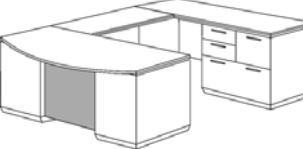
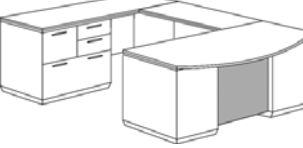
	ITEM NO. & DESCRIPTION*	SIZE W" x D" x H"	Wt.	CUBES (ft.)	Gov. Delivered List Price
					Zone 1
	Executive Desk (flat pack) 7020/7021-36FP -361 Desk Top, Modesty Panel -362 Right Assembled Pedestal -363 Left Assembled Pedestal	72 x 36 x 30	383	41.3	Flat Pack 1458.00 327.00 565.00 565.00
	Executive Desk (fully assembled) 7020/7021-36 72 x 36 x 30	371	55.1	Fully Assembled 1719.00	
Box / box / file drawer per pedestal; pencil tray in top box drawers; grommet in corners of top; kneehole locking pedestals					
	Executive Desk (flat pack) 7020/7021-37FP -371 Desk Top, Modesty Panel -362 Right Assembled Desk Pedestal -363 Left Assembled Desk Pedestal	72 x 42 x 30	392	42.5	Flat Pack 1511.00 381.00 565.00 565.00
	Executive Desk (fully assembled) 7020/7021-37 72 x 42 x 30	380	65.3	Fully Assembled 1879.00	
Box / box / file drawer per pedestal; pencil tray in top box drawers; grommet in corners of top; kneehole locking pedestals					
	Executive Desk (flat pack) 7020/7021-30FP -301 Desk Top, Modesty Panel -302 Right Assembled Desk Pedestal -303 Left Assembled Desk Pedestal	66 x 30 x 30	337	31.9	Flat Pack 1297.00 274.00 512.00 512.00
	Executive Desk (fully assembled) 7020/7021-30 66 x 30 x 30	324	43.0	Fully Assembled 1541.00	
Box / box / file drawer per pedestal; pencil tray in top box drawers; grommet in corners of top; kneehole locking pedestals					
	Kneehole Credenza (flat pack) 7020/7021-21FP -211 Credenza Top, Modesty Panel -212 Right Credenza Assembled Pedestal -213 Left Credenza Assembled Pedestal	72 x 24 x 30	309	29.8	Flat Pack 1207.00 292.00 458.00 458.00
	Kneehole Credenza (fully assembled) 7020/7021-21 72 x 24 x 30	306	40.2	Fully Assembled 1517.00	
Box / box / file drawer per pedestal; adjustable divider in each box drawer; pencil tray in top box drawers; kneehole locking pedestals; cable accessible					
	Kneehole Credenza w/flat ends (flat pack) 7020/7021-215FP -2151 Credenza Top, Modesty Panel -212 Right Credenza Assembled Pedestal -213 Left Credenza Assembled Pedestal	70 x 24 x 30	304	29.6	Flat Pack 1172.00 256.00 458.00 458.00
	Kneehole Credenza w/flat ends (fully assembled) 7020/7021-215 70 x 24 x 30	300	40.2	Fully Assembled 1493.00	
Box / box / file drawer per pedestal; pencil tray in top box drawers; kneehole locking pedestals; cable accessible					

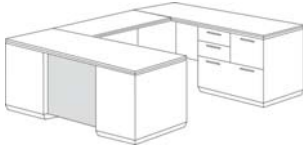
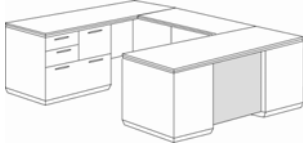


	ITEM NO. & DESCRIPTION*	SIZE W" x D" x H"	Wt.	CUBES (ft.)	Gov. Delivered List Price	
					Zone 1	
	Kneehole Credenza (flat pack) 7020/7021-19FP -191 Credenza Top, Panels -212 Right Facing Credenza Pedestal -213 Left Facing Credenza Pedestal	66 x 24 x 30	308	29.4		Flat Pack 1112.00 196.00 458.00 458.00
	Kneehole Credenza (fully assembled) 7020/7021-19 66 x 24 x 30 308 35.9 Box / box / file drawer per pedestal; pencil tray in top box drawers; kneehole locking pedestals; cable accessible					Fully Assembled 1458.00
	Storage Credenza (fully assembled) 7020/7021-20 72 x 24 x 30 354 41.8 Box / box / file drawer per pedestal; pencil tray in top box drawers; center two-door cabinet; locking peds via locks accessible through cabinet					1754.00
	Right Executive Bow Front L Desk (flat pack) 7020/7021-47BFP -371 Bow Front Desk Top, Modesty Panel -363 Desk Left Assembled Pedestal -5702 Desk Support Pedestal -5791 Right Return Top, Modesty Panel -212 Right Return Assembled Pedestal		496	47.3		Flat Pack 1992.00 381.00 565.00 333.00 256.00 458.00
	Left Executive Bow Front L Desk (flat pack) 7020/7021-48BFP -371 Bow Front Desk Top, Modesty Panel -362 Desk Right Assembled Pedestal -5802 Desk Support Pedestal -5891 Left Return Top, Modesty Panel -213 Left Return Assembled Pedestal			496	47.3	
	Right Executive Bow Front L Desk (fully assembled) 7020/7021-47B 72 x 90 x 30 507 91.7 Consists of: -570B Exec Lt Sgl Bow Assem Ped Desk 72 x 42 x 30 325 65.3 -579 Right Sgl Pedestal Return 48 x 25 x 30 182 26.4					Fully Assembled 1458.00 1660.00 1012.00
	Left Executive Bow Front L Desk (fully assembled) 7020/7021-48B 72 x 90 x 30 507 91.7 Consists of: -580B Exec Rt Sgl Bow Assem Ped Desk 72 x 42 x 30 325 65.3 -589 Left Sgl Pedestal Return 48 x 25 x 30 182 26.4					Fully Assembled 1458.00 1660.00 1012.00
	Box / box / file drawer per pedestal; pencil tray in top box drawers; kneehole locking pedestals; grommets in desk top corners and return modesty panel.					





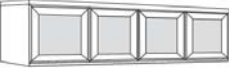



	ITEM NO. & DESCRIPTION*	SIZE W" x D" x H"	Wt.	CUBES (ft.)	Gov. Delivered List Price
					Zone 1
	Right Executive L Desk (flat pack) 7020/7021-47FP		487	46.1	Flat Pack 1939.00
	-361 Desk Top, Modesty Panel		119	7.5	327.00
	-363 Desk Left Assembled Pedestal		132	16.9	565.00
	-5702 Desk Support Pedestal		58	5.3	333.00
	-5791 Right Return Top, Modesty Panel		79	4.3	256.00
	-212 Right Return Assembled Pedestal		99	12.1	458.00
	Left Executive L Desk (flat pack) 7020/7021-48FP		487	46.1	Flat Pack 1939.00
	-361 Desk Top, Modesty Panel		119	7.5	327.00
	-362 Desk Right Assembled Pedestal		132	16.9	565.00
	-5802 Desk Support Pedestal		58	5.3	333.00
	-5891 Left Return Top, Modesty Panel		79	4.3	256.00
	-213 Left Return Assembled Pedestal		99	12.1	458.00
	Right Executive L Desk (fully assembled) 7020/7021-47	72 x 84 x 30	478	81.5	Fully Assembled 2617.00
	Consists of:				
	-570 Exec. Left Sgl Pedestal Desk	72 x 36 x 30	296	55.1	1607.00
	-579 Right Sgl Pedestal Return	48 x 25 x 30	182	26.4	1012.00
	Left Executive L Desk (fully assembled) 7020/7021-48	72 x 84 x 30	478	81.5	Fully Assembled 2617.00
	Consists of:				
	-580 Exec. Right Sgl Pedestal Desk	72 x 36 x 30	296	55.1	1607.00
	-589 Left Sgl Pedestal Return	48 x 25 x 30	182	26.4	1012.00
	Box / box / file drawer per pedestal; pencil tray in top box drawers; kneehole locking pedestals; grommets in desk top corners and return modesty panel.				
	Right Peninsula L Desk (flat pack) 7020/7021-45FP		414	31.6	Flat Pack 1458.00
	-520 Left Peninsula Desk Top, Panels		190	11.0	536.00
	-113 Peninsula Desk Post		46	4.2	208.00
	-5791 Right Return Top, Modesty Panel		79	4.3	256.00
	-212 Right Return Assembled Pedestal		99	12.1	458.00
	Left Peninsula L Desk (flat pack) 7020/7021-46FP		414	31.6	Flat Pack 1458.00
	-530 Right Peninsula Desk Top, Panels		190	11.0	536.00
	-113 Peninsula Desk Post		46	4.2	208.00
	-5891 Left Return Top, Modesty Panel		79	4.3	256.00
	-213 Left Return Assembled Pedestal		99	12.1	458.00
	Right Peninsula L Desk* (partially assembled) 7020/7021-45	72 x 90 x 30	418	41.6	Partially Assembled 1754.00
	Consists of:				
	-520 Left Peninsula Desk Top, Panels*	72 x 42 x 30	190	11.0	536.00
	-113 Peninsula Desk Post		46	4.2	208.00
	-579 Right Return	48 x 25 x 30	182	26.4	1012.00
	Left Peninsula L Desk* (partially assembled) 7020/7021-46	72 x 90 x 30	418	41.6	Partially Assembled 1754.00
	Consists of:				
	-530 Right Peninsula Desk Top, Panels*	72 x 42 x 30	190	11.0	536.00
	-113 Peninsula Desk Post		46	4.2	208.00
	-589 Left Return	48 x 25 x 30	182	26.4	1012.00
	Box / box / file drawer in the return pedestal; pencil tray in the top box drawer; kneehole locking pedestal; grommet on return modesty panel. *-520/-530 require assembly				






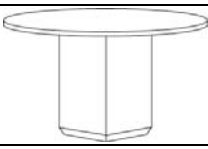
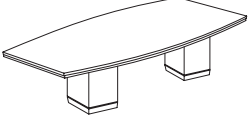
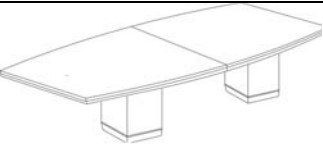
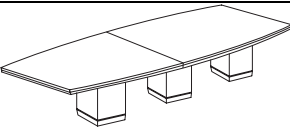
	ITEM NO. & DESCRIPTION*	SIZE W" x D" x H"	Wt.	CUBES (ft.)	Gov. Delivered List Price
					Zone 1
	66" Right Executive L Desk (flat pack)				Flat Pack
	7020/7021-27FP		445	38.3	1809.00
	-301 Desk Top, Modesty Panel		99	5.9	274.00
	-303 Desk Left Assembled Pedestal		119	13.0	512.00
	-2702 Left Desk Support Ped		49	3.0	309.00
	-5791 Right Return Top, Modesty Panel		79	4.3	256.00
	-212 Right Return Assembled Pedestal		99	12.1	458.00
	66" Left Executive L Desk (flat pack)				Flat Pack
	7020/7021-28FP		445	38.3	1809.00
	-301 Desk Top, Modesty Panel		99	5.9	274.00
	-302 Desk Right Assembled Pedestal		119	13.0	512.00
	-2802 Right Desk Support Ped		49	3.0	309.00
	-5891 Left Return Top, Modesty Panel		79	4.3	256.00
	-213 Left Return Assembled Pedestal		99	12.1	458.00
	66" Right Executive L Desk (fully assembled)				Fully Assembled
	7020/7021-27	66 x 78 x 30	432	69.4	2462.00
	<i>Consists of:</i>				
	-370 66" Exec Left Sgl Ped Desk	66 x 30 x 30	250	43.0	1452.00
	-579 Right Sgl Ped Return	48 x 25 x 30	182	26.4	1012.00
	66" Left Executive L Desk (fully assembled)				Fully Assembled
	7020/7021-28	66 x 78 x 30	432	69.4	2462.00
	<i>Consists of:</i>				
	-380 66" Exec Right Sgl Ped Desk	66 x 30 x 30	250	43.0	1452.00
	-589 Left Sgl Ped Return	48 x 25 x 30	182	26.4	1012.00
	Box / box / file drawer per pedestal; pencil tray in top box drawers; knee-hole locking pedestals; grommets in desk top corners and return modesty panel.				
	Right Executive Bow Front U Desk (flat pack)				Flat Pack
	7020/7021-57BFP		705	57.3	2498.00
	-371 Bow Front Desk Top, Modesty Panel		128	8.7	381.00
	-363 Desk Left Assembled Pedestal		132	16.9	565.00
	-5702 Left Desk Support Ped		58	5.3	333.00
	-211 Credenza Top, Modesty Panel		110	5.6	292.00
	-212 Credenza Right Assembled Pedestal		99	12.1	458.00
	-2101 Credenza Support Pedestal		99	2.1	178.00
	-59 U Bridge		79	6.6	292.00
	Left Executive Bow Front U Desk (flat pack)				Flat Pack
	7020/7021-58BFP		705	57.3	2498.00
	-371 Bow Front Desk Top, Modesty Panel		128	8.7	381.00
	-362 Desk Right Assembled Pedestal		132	16.9	565.00
	-5802 Desk Support Ped		58	5.3	333.00
	-211 Credenza Top, Modesty Panel		110	5.6	292.00
	-213 Credenza Left Pedestal		99	12.1	458.00
	-2102 Credenza Support Pedestal		99	2.1	178.00
	-59 U Bridge		79	6.6	292.00
	Right Executive Bow Front U Desk (fully assembled)				Fully Assembled
	7020/7021-57B	72 x 114 x 30	632	112.1	3201.00
	<i>Consists of:</i>				
	-570B Exec Lt Sgl Bow Assem Ped Desk	72 x 42 x 30	325	65.3	1660.00
	-571 Exec. Rt Sgl Ped Credenza	72 x 24 x 30	228	40.2	1250.00
	-59 U Bridge	48 x 24 x 30	79	6.6	291.00
	Left Executive Bow Front U Desk (fully assembled)				Fully Assembled
	7020/7021-58B	72 x 114 x 30	632	112.1	3201.00
	<i>Consists of:</i>				
	-580B Exec. Rt Sgl Bow Assem Ped Desk	72 x 42 x 30	325	65.3	1660.00
	-581 Exec. Lt Sgl Ped Credenza	72 x 24 x 30	228	40.2	1250.00
	-59 U Bridge	48 x 24 x 30	79	6.6	291.00
	Box / box / file drawer per pedestal; pencil tray in top box drawer; knee-hole locking pedestals; grommets in corners of desk top; cable grommet in approach panel of credenza Bridge has cable grommet in approach panel				

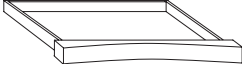
	ITEM NO. & DESCRIPTION*	SIZE W" x D" x H"	Wt.	CUBES (ft.)	Gov. Delivered List Price
					Zone 1
	Right Executive U Desk (flat pack)				Flat Pack
	7020/7021-57FP		696	56.1	2445.00
	-361 Desk Top, Modesty Panel		119	7.5	327.00
	-363 Desk Left Assembled Pedestal		132	16.9	565.00
	-5702 Left Desk Support Ped		58	5.3	333.00
	-211 Credenza Top, Modesty Panel		110	5.6	292.00
	-212 Credenza Right Assembled Pedestal		99	12.1	458.00
	-2101 Credenza Support Pedestal		99	2.1	178.00
	-59 U Bridge		79	6.6	292.00
	Left Executive U Desk (flat pack)				Flat Pack
	7020/7021-58FP		696	56.1	2445.00
	-361 Desk Top, Modesty Panel		119	7.5	327.00
-362 Desk Right Assembled Pedestal		132	16.9	565.00	
-5802 Desk Support Ped		58	5.3	333.00	
-211 Credenza Top, Modesty Panel		110	5.6	292.00	
-213 Credenza Left Pedestal		99	12.1	458.00	
-2102 Credenza Support Pedestal		99	2.1	178.00	
-59 U Bridge		79	6.6	292.00	
	Right Executive U Desk (fully assembled)				Fully Assembled
	7020/7021-57	72 x 108 x 30	603	101.9	3146.00
	Consists of:				
	-570 Exec. Left Sgl Pedestal Desk	72 x 36 x 30	296	55.1	1607.00
	-571 Exec. Right Sgl Ped Credenza	72 x 24 x 30	228	40.2	1250.00
	-59 U Bridge	48 x 24 x 30	79	6.6	291.00
	Left Executive U Desk (fully assembled)				Fully Assembled
	7020/7021-58	72 x 108 x 30	603	101.9	3146.00
	Consists of:				
	-580 Exec. Right Sgl Pedestal Desk	72 x 36 x 30	296	55.1	1607.00
	-581 Exec. Left Sgl Ped Credenza	72 x 24 x 30	228	40.2	1250.00
	-59 U Bridge	48 x 24 x 30	79	6.6	291.00
	Box / box / file drawer per pedestal; pencil tray in top box drawer; knee-hole locking pedestals; grommets in corners of desk top; cable grommet in approach panel of credenza Bridge has cable grommet in approach panel				
	Right Lateral File Bow Front U Desk (flat pack)				Flat Pack
	7020/7021-537BFP		756	65.6	2753.00
	-371 Bow Front Desk Top, Modesty Panel		128	8.7	381.00
	-363 Desk Left Assembled Pedestal		132	16.9	565.00
	-5702 Left Desk Support Pedestal		58	5.3	333.00
	-5401 Credenza Top, Modesty Panel		128	5.6	292.00
	-5472 Credenza Right Assembled File Pedestal		132	20.4	714.00
	-2101 Credenza Support Pedestal		99	2.1	178.00
	-59 U Bridge		79	6.6	292.00
	Left Lateral File Bow Front U Desk (flat pack)				Flat Pack
	7020/7021-538BFP		756	65.6	2753.00
	-371 Bow Front Desk Top, Modesty Panel		128	8.7	381.00
-362 Desk Right Assembled Pedestal		132	16.9	565.00	
-5802 Desk Support Pedestal		58	5.3	333.00	
-5401 Credenza Top, Modesty Panel		128	5.6	292.00	
-5472 Credenza Left Assembled File Pedestal		132	20.4	714.00	
-2102 Credenza Support Pedestal		99	2.1	178.00	
-59 U Bridge		79	6.6	292.00	
	Right Lateral File Bow Front U Desk (fully assembled)				Fully Assembled
	7020/7021-537B	72 x 114 x 30	672	112.1	3473.00
	Consists of:				
	-570B Exec. Lt Sgl Bow Assem Ped Desk	72 x 42 x 30	325	65.3	1660.00
	-547 Rt Sgl Lateral File Credenza	72 x 24 x 30	268	40.2	1522.00
	-59 U Bridge	48 x 24 x 30	79	6.6	291.00
	Left Lateral File Bow Front U Desk (fully assembled)				Fully Assembled
	7020/7021-538B	72 x 114 x 30	672	112.1	3473.00
	Consists of:				
	-580B Exec. Rt Sgl Bow Assem Ped Desk	72 x 42 x 30	325	65.3	1660.00
	-548 Left Sgl Lateral File Credenza	72 x 24 x 30	268	40.2	1522.00
	-59 U Bridge	48 x 24 x 30	79	6.6	291.00
	Desk: box / box / file drawer; pencil tray in top box drawers; knee-hole locking pedestals; Credenza: two lateral file drawers; central locking pedestal; cable grommet in modesty panel. Bridge: cable grommet in approach panel				

	ITEM NO. & DESCRIPTION*	SIZE W" x D" x H"	Wt.	CUBES (ft.)	Gov. Delivered List Price
					Zone 1
	Right Lateral File U Desk (flat pack)				Flat Pack
	7020/7021-537FP		747	64.4	2700.00
	-361 Desk Top, Modesty Panel		119	7.5	327.00
	-363 Desk Left Assembled Pedestal		132	16.9	565.00
	-5702 Left Desk Support Ped		58	5.3	333.00
	-5401 Credenza Top, Modesty Panel		128	5.6	292.00
	-5472 Credenza Right Assembled File Pedestal		132	20.4	714.00
	-2101 Credenza Support Pedestal		99	2.1	178.00
	-59 U Bridge		79	6.6	292.00
	Left Lateral File U Desk (flat pack)				Flat Pack
	7020/7021-538FP		747	64.4	2700.00
	-361 Desk Top, Modesty Panel		119	7.5	327.00
	-362 Desk Right Assembled Pedestal		132	16.9	565.00
	-5802 Right Desk Support Ped		58	5.3	333.00
	-5401 Credenza Top, Modesty Panel		128	5.6	292.00
	-5472 Credenza Left Assembled File Pedestal		132	20.4	714.00
	-2102 Credenza Support Pedestal		99	2.1	178.00
	-59 U Bridge		79	6.6	292.00
	Right Lateral File U Desk (fully assembled)				Fully Assembled
	7020/7021-537	72 x 108 x 30	643	101.9	3420.00
	Consists of:				
	-570 Exec Left Sgl Pedestal Desk	72 x 36 x 30	296	55.1	1607.00
	-547 Right Sgl Lateral File Credenza	72 x 24 x 30	268	40.2	1522.00
	-59 U Bridge	48 x 24 x 30	79	6.6	291.00
	Left Lateral File U Desk (fully assembled)				Fully Assembled
	7020/7021-538	72 x 108 x 30	643	101.9	3420.00
	Consists of:				
	-580 Exec. Right Sgl Pedestal Desk	72 x 36 x 30	296	55.1	1607.00
	-548 Left Sgl Lateral File Credenza	72 x 24 x 30	268	40.2	1522.00
	-59 U Bridge	48 x 24 x 30	79	6.6	291.00
	Desk: box/box/file drawer; pencil tray in top box drawer; kneehole locking pedestal; Credenza: two lateral file drawers; central locking pedestal; cable grommet in modesty panel. Bridge: cable grommet in approach panel.				
	Right Personal File Bow Front U Desk (flat pack)				Flat Pack
	7020/7021-507BFP		787	65.6	2753.00
	-371 Bow Front Desk Top, Modesty Panel		128	8.7	381.00
	-363 Desk Left Assembled Pedestal		132	16.9	565.00
	-5702 Left Desk Support Pedestal		58	5.3	333.00
	-5401 Credenza Top, Modesty Panel		128	5.6	292.00
	-5272 Credenza Assembled Personal File Pedestal		163	20.4	714.00
	-2101 Credenza Support Pedestal		99	2.1	178.00
	-59 U Bridge		79	6.6	292.00
	Left Personal File Bow Front U Desk (flat pack)				Flat Pack
	7020/7021-508BFP		787	65.6	2753.00
	-371 Bow Front Desk Top, Modesty Panel		128	8.7	381.00
	-362 Right Assembled Pedestal		132	16.9	565.00
	-5802 Right Desk Support Pedestal		58	5.3	333.00
	-5401 Credenza Top, Modesty Panel		128	5.6	292.00
	-5272 Credenza Assembled Personal File Pedestal		163	20.4	714.00
	-2102 Credenza Support Pedestal		99	2.1	178.00
	-59 U Bridge		79	6.6	292.00
	Right Personal File Bow Front U Desk (fully assembled)				Fully Assembled
	7020/7021-507B	72 x 114 x 30	692	112.1	3473.00
	Consists of:				
	-570B Exec. Lt Sgl Bow Assem Ped Desk	72 x 42 x 30	325	65.3	1660.00
	-527 Rt Sgl Personal File Credenza	72 x 24 x 30	288	40.2	1522.00
	-59 U Bridge	48 x 24 x 30	79	6.6	291.00
	Left Personal File Bow Front U Desk (fully assembled)				Fully Assembled
	7020/7021-508B	72 x 114 x 30	692	112.1	3473.00
	Consists of:				
	-580B Exec. Rt Sgl Bow Assem Ped Desk	72 x 42 x 30	325	65.3	1660.00
	-528 Left Sgl Personal File Credenza	72 x 24 x 30	288	40.2	1522.00
	-59 U Bridge	48 x 24 x 30	79	6.6	291.00
	Desk: box / box / file drawer; pencil tray in top box drawer; kneehole locking pedestal; Credenza: box/box/ personal file/ lateral file in pedestal; central locking pedestal; pencil tray in the top box drawer; cable grommet in the approach panel; Bridge: cable grommet in approach panel.				

	ITEM NO. & DESCRIPTION*	SIZE W" x D" x H"	Wt.	CUBES (ft.)	Gov. Delivered List Price
					Zone 1
	Right Personal File U Desk (flat pack)				Flat Pack
	7020/7021-507FP		778	64.4	2700.00
	-361 Desk Top, Modesty Panel		119	7.5	327.00
	-363 Desk Left Assembled Pedestal		132	16.9	565.00
	-5702 Left Desk Support Ped		58	5.3	333.00
	-5401 Credenza Top, Modesty Panel		128	5.6	292.00
	-5272 Credenza Assembled Personal File Pedestal		163	20.4	714.00
	-2101 Credenza Support Pedestal		99	2.1	178.00
	-59 U Bridge		79	6.6	292.00
	Left Personal File U Desk (flat pack)				Flat Pack
	7020/7021-50BFP		778	64.4	2700.00
	-361 Desk Top, Modesty Panel		119	7.5	327.00
	-362 Desk Right Assembled Pedestal		132	16.9	565.00
	-5802 Right Desk Support Ped		58	5.3	333.00
	-5401 Credenza Top, Modesty Panel		128	5.6	292.00
	-5272 Credenza Assembled Personal File Pedestal		163	20.4	714.00
	-2102 Credenza Support Pedestal		99	2.1	178.00
	-59 U Bridge		79	6.6	292.00
	Right Personal File U Desk (fully assembled)				Fully Assembled
	7020/7021-507	72 x 108 x 30	663	101.9	3420.00
	Consists of:				
	-570 Exec Left Sgl Pedestal Desk	72 x 36 x 30	296	55.1	1607.00
	-527 Right Sgl Personal File Cred	72 x 24 x 30	288	40.2	1522.00
	-59 U Bridge	48 x 24 x 30	79	6.6	291.00
	Left Personal File U Desk (fully assembled)				Fully Assembled
	7020/7021-508	72 x 108 x 30	663	101.9	3420.00
	Consists of:				
	-580 Exec. Right Sgl Pedestal Desk	72 x 36 x 30	296	55.1	1607.00
	-528 Left Sgl Personal File Credenza	72 x 24 x 30	288	40.2	1522.00
	-59 U Bridge	48 x 24 x 30	79	6.6	291.00
	<i>Desk:</i> box / box / file drawer; pencil tray in top box drawer; kneehole locking pedestal; <i>Credenza:</i> box / box / personal file / lateral file in pedestal; central locking pedestal; pencil tray in the top box drawer; cable grommet in the approach panel; <i>Bridge:</i> cable grommet in approach panel				
	Right Peninsula U Desk (flat pack)				Flat Pack
	7020/7021-647FP		623	41.6	1964.00
	-520 Left Peninsula Desk Top, Panels*		190	11.0	536.00
	-113 Peninsula Desk Post		46	4.2	208.00
	-211 Credenza Top, Modesty Panel		110	5.6	292.00
	-212 Credenza Right Facing Pedestal		99	12.1	458.00
	-2101 Credenza Support Pedestal		99	2.1	178.00
	-59 U Bridge		79	6.6	292.00
	Left Peninsula U Desk (flat pack)				Flat Pack
	7020/7021-648FP		623	41.6	1964.00
	-530 Right Peninsula Desk Top, Panels*		190	11.0	536.00
	-113 Peninsula Desk Post		46	4.2	208.00
	-211 Credenza Top, Modesty Panel		110	5.6	292.00
	-213 Credenza Left Facing Pedestal		99	12.1	458.00
	-2102 Credenza Support Pedestal		99	2.1	178.00
	-59 U Bridge		79	6.6	292.00
	Right Peninsula U Desk* (partially assembled)				Partially Assembled
	7020/7021-647	72 x 114 x 30	543	62.0	2285.00
	Consists of:				
	-520 Left Peninsula Desk Top, Panels*	72 x 42 x 30	190	11.0	536.00
	-113 Peninsula Desk Post		46	4.2	208.00
	-571 Exec. Right Sgl Ped Credenza	72 x 24 x 30	228	40.2	1250.00
	-59 U Bridge	48 x 24 x 30	79	6.6	291.00
	Left Peninsula U Desk* (partially assembled)				Partially Assembled
	7020/7021-648	72 x 114 x 30	543	62.0	2285.00
	Consists of:				
	-530 Rt Peninsula Desk Top, Panels*	72 x 42 x 30	190	11.0	536.00
	-113 Peninsula Desk Post		46	4.2	208.00
	-581 Exec. Left Sgl Ped Credenza	72 x 24 x 30	228	40.2	1250.00
	-59 U Bridge	48 x 24 x 30	79	6.6	291.00
	<i>Credenza:</i> box / box / file drawer; pencil tray in the top box drawer; kneehole locking pedestal; cable grommet in approach panel; <i>Bridge:</i> cable grommet in approach panel *-520/-530 require assembly.				

	ITEM NO. & DESCRIPTION*	SIZE W" x D" x H"	Wt.	CUBES (ft.)	Gov. Delivered List Price
					Zone 1
	Right Reception Desk (flat pack) 7020/7021-66FP Consists of: -681 Left Desk Top, Modesty Panel, Hutch -363 Desk Left Assembled Pedestal -5702 Left Desk Support Pedestal -1791 Right Return Top, Modesty Panel, Hutch -212 Right Return Assembled Pedestal	72 x 84 x 42	489	56.3	Flat Pack 2695.00
	Left Reception Desk (flat pack) 7020/7021-67FP Consists of: -691 Right Desk Top, Modesty Panel, Hutch -362 Desk Right Assembled Pedestal -5802 Right Desk Support Pedestal -1891 Left Return Top, Modesty Panel, Hutch -213 Left Return Assembled Pedestal	72 x 84 x 42	489	56.3	Flat Pack 2695.00
Box with a pencil tray / box with a removable divider / file drawer per pedestal. Grommets on tops. Two organizers in desk hutch					
	Lateral File (fully assembled) 7020/7021-16 two lateral file drawers; central locking; equipped with an anti-tip device	36 x 24 x 30	183	21.8	874.00
	Overhead Storage (fully assembled) 7020/7021-61 Two cabinets with frosted plexi doors; letter storage; cable accessible, including 1" grommet for optional task light installation	66 x 16 x 42	225	37.2	1369.00
	Overhead Storage (fully assembled) 7020/7021-62 Two cabinets with frosted plexi doors; letter storage; cable accessible, including 1" grommet for optional task light installation	72 x 16 x 42	241	40.3	1607.00
	Wall Mounted Overhead (fully assembled) 7020/7021-404 Two cabinets with frosted plexi doors; grommet for installation of optional task light; mounts to wall with Z-Rail and screws	70 x 16 x 18	143	19.1	827.00
	Left Single Wardrobe/Cabinet (fully assembled) 7020/7021-01 Four adjustable/removable shelves; metal hanger rod	18 x 24 x 72	169	26.1	969.00
	Right Single Wardrobe/Cabinet (fully assembled) 7020/7021-02 Four adjustable/removable shelves; metal hanger rod	18 x 24 x 72	169	26.1	969.00
	Double Wardrobe/Cabinet (fully assembled) 7020/7021-06 Two cabinets, each with four adjustable shelves; metal hanger rod in left cabinet	36 x 24.25 x 72	312	48.5	1677.00

	ITEM NO. & DESCRIPTION*	SIZE W" x D" x H"	Wt.	CUBES (ft.)	Gov. Delivered List Price
					Zone 1
	Lateral File Storage Cabinet (fully assembled) 7020/7021-07 Two lateral file drawers with central locking; cabinet with two adjustable shelves	36 x 24.25 x 72	323	48.5	1726.00
	Bookcase (fully assembled) 7020/7021-09 Open storage with two adjustable shelves; cabinet with an adjustable shelf	36 x 16 x 72	198	33.9	1095.00
	Open Bookcase (flat pack) 7020/7021-108FP	36 x 16 x 72	176	10.4	Flat Pack 1041.00
	Open Bookcase (fully assembled) 7020/7021-108 Five shelves of which four are adjustable.	36 x 16 x 72	176	33.2	Fully Assembled 1184.00
	Open Bookcase (flat pack) 7020/7021-158FP	36 x 16 x 54	134	7.7	Flat Pack 731.00
	Open Bookcase (fully assembled) 7020/7021-158 Four shelves of which three are adjustable.	36 x 16 x 54	134	23.0	Fully Assembled 910.00
	Open Bookcase (flat pack) 7020/7021-148FP	36 x 16 x 42	112	6.3	Flat Pack 655.00
	Open Bookcase (fully assembled) 7020/7021-148 Three shelves of which two are adjustable.	36 x 16 x 42	112	19.8	Fully Assembled 827.00
	42" Round Conference Table 7020/7021-89 Consists of: -011 42" Round Top -002 18" Square Single Pedestal Base	42 x 42 x 30	108	11.8	434.00 185.00 249.00
	8' Boat Top Conference Table 7020/7021-96 Consists of" -004 96" Boat Shaped Top -002 18" Square Pedestal Base (2)	96 x 42 x 30	279	31.7	1375.00 770.00 605.00
	10' Boat Top Conference Table 7020/7021-120 Consists of" -005 120" Two Piece Boat Shaped Top -002 18" Square Pedestal Base (2)	120 x 48 x 30	284	32.6	1595.00 990.00 605.00
	8' Boat Top Conference Table 7020/7021-144 Consists of" -006 144" Two Piece Boat Shaped Top -002 18" Square Pedestal Base (2)	144 x 48 x 30	363	44.8	1925.00 1018.00 908.00

	ITEM NO. & DESCRIPTION*	SIZE W" x D" x H"	Wt.	CUBES (ft.)	Gov. Delivered List Price
					Zone 1
	Optional Center/Keyboard Drawer 7020/7021-701	33.5 x 19.75 x 3.25	10	3.4	208.00
	Drop-front; 2.75" box height; Use with 72" double and single pedestal desks or credenzas. Optional Center/Keyboard Drawer 7020/7021-702	27.5 x 19.75 x 3.25	10	2.8	196.00
	Drop-front; 2.75" box height; Use with 66" double and single pedestal desks and 48" returns.				

All Online Catalog Prices Supersede Printed Media
www.dmiofficefurniture.com